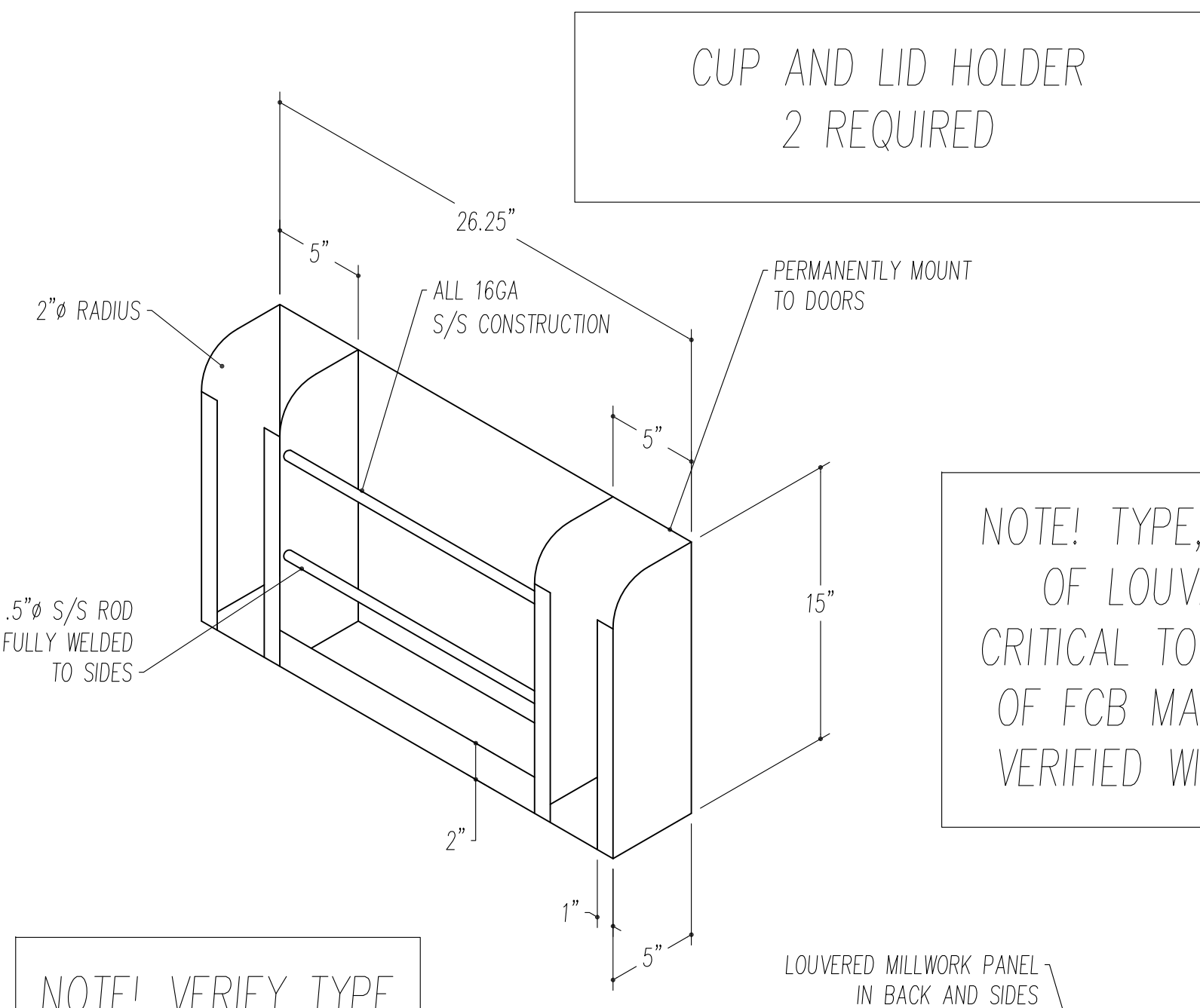


PLAN  
.75"=1'0"



NOTE! TYPE, SIZE, AND LOCATION OF LOUVERED PANELS ARE CRITICAL TO PROPER VENTILATION OF FCB MACHINE AND MUST BE VERIFIED WITH ACTUAL MACHINE

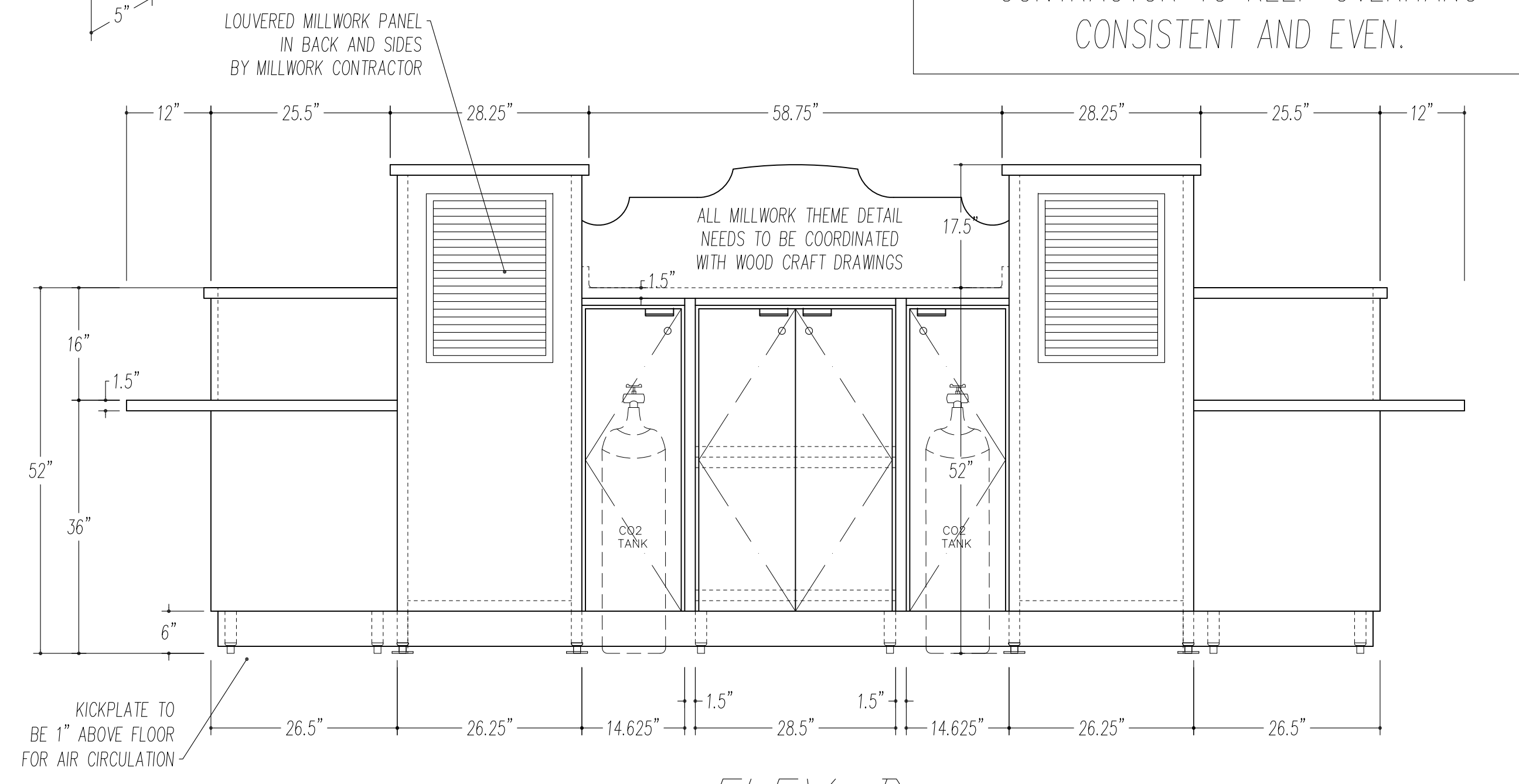
FCB COUNTER

TOP - SOLID SURFACE  
BASE AND UNDERSHELVES- 16GA S/S  
CABINET - 18GA S/S PLUG WELD TO 1.5" SQ TUBING  
CLADDING - .75" MDF PLYWOOD PANELS VERIFY  
DOORS AND DRAWERS - LOCKING S/S FRAME WITH .75" MDF PLYWOOD

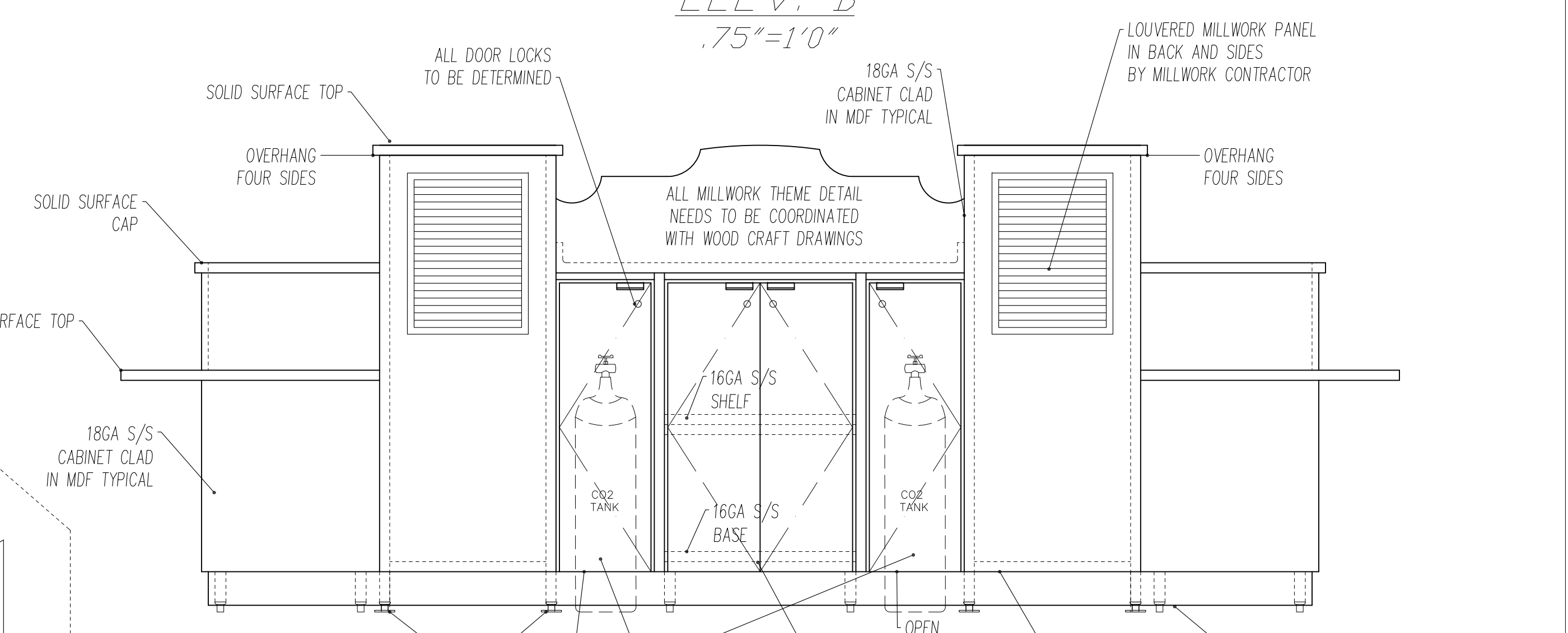
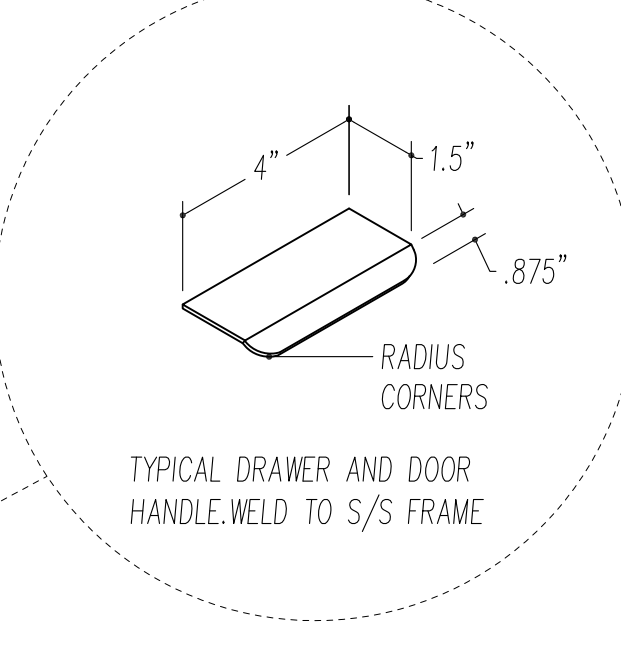
NOTE! SIZE OF OVERALL TOPS WILL VARY DEPENDING ON THICKNESS OF APPLIED MILLWORK THEME. MILLWORK CONTRACTOR TO KEEP OVERHANG CONSISTENT AND EVEN.

NOTE! VERIFY TYPE OF PLYWOOD SUBSTRATE

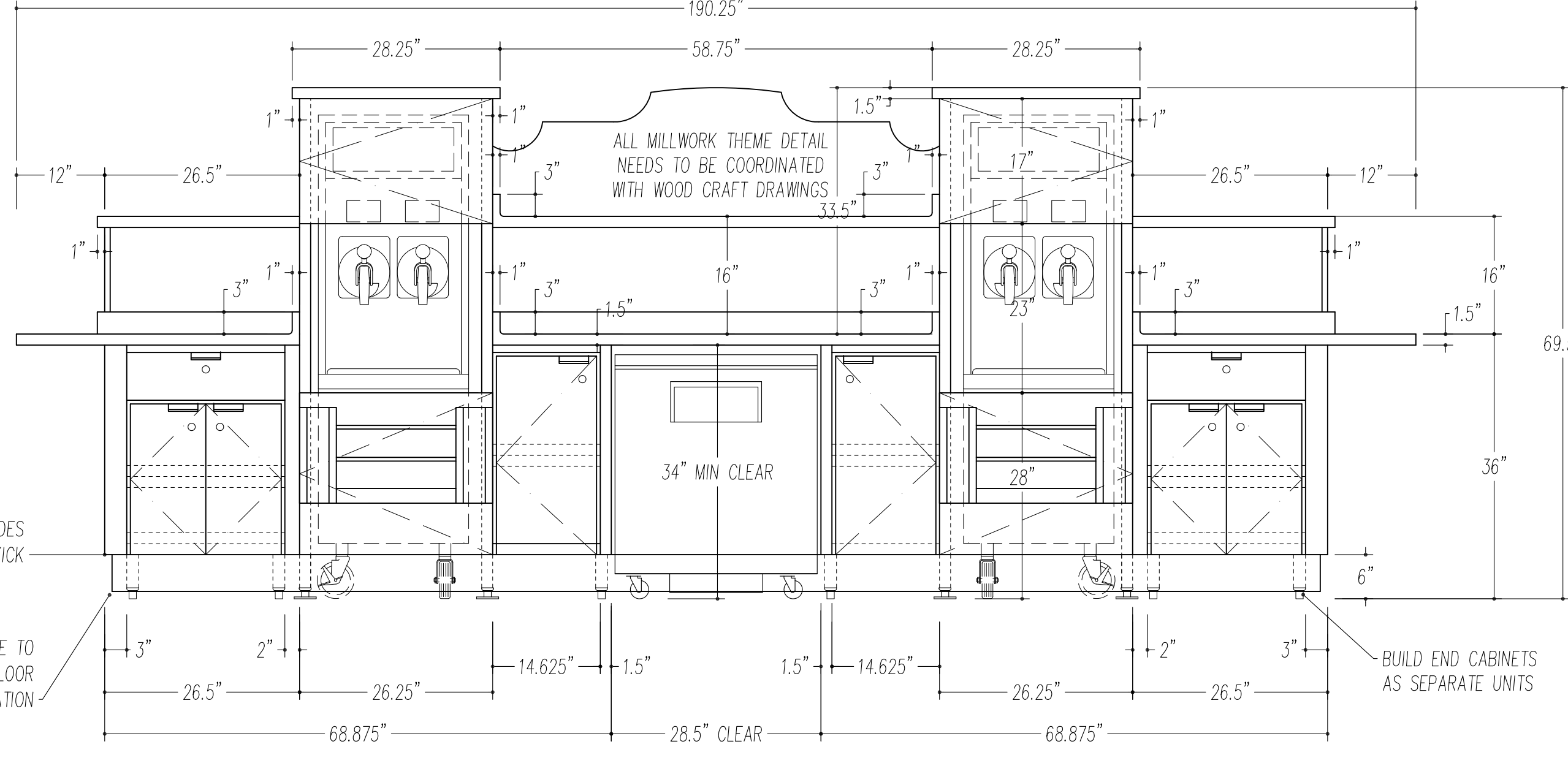
NOTE! SEE WOOD CRAFT CONCEPT DRAWING DATED 8/11/2010



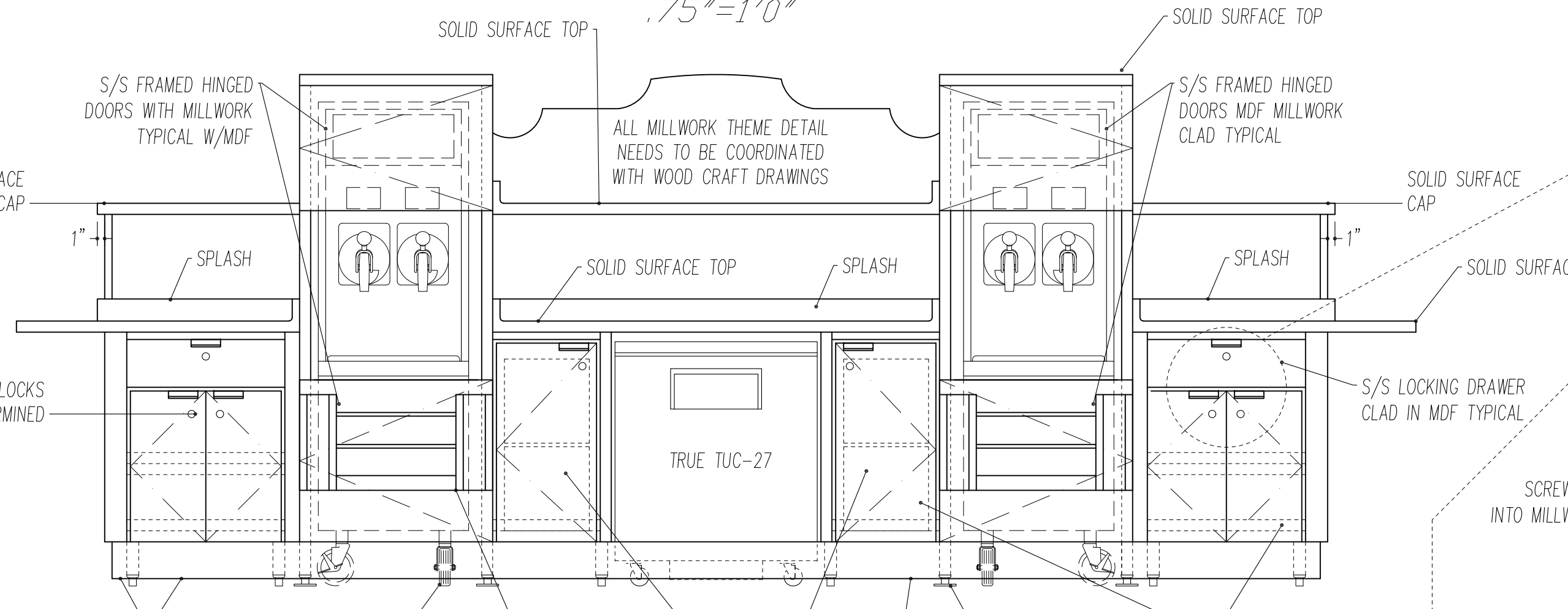
ELEV. B  
.75"=1'0"



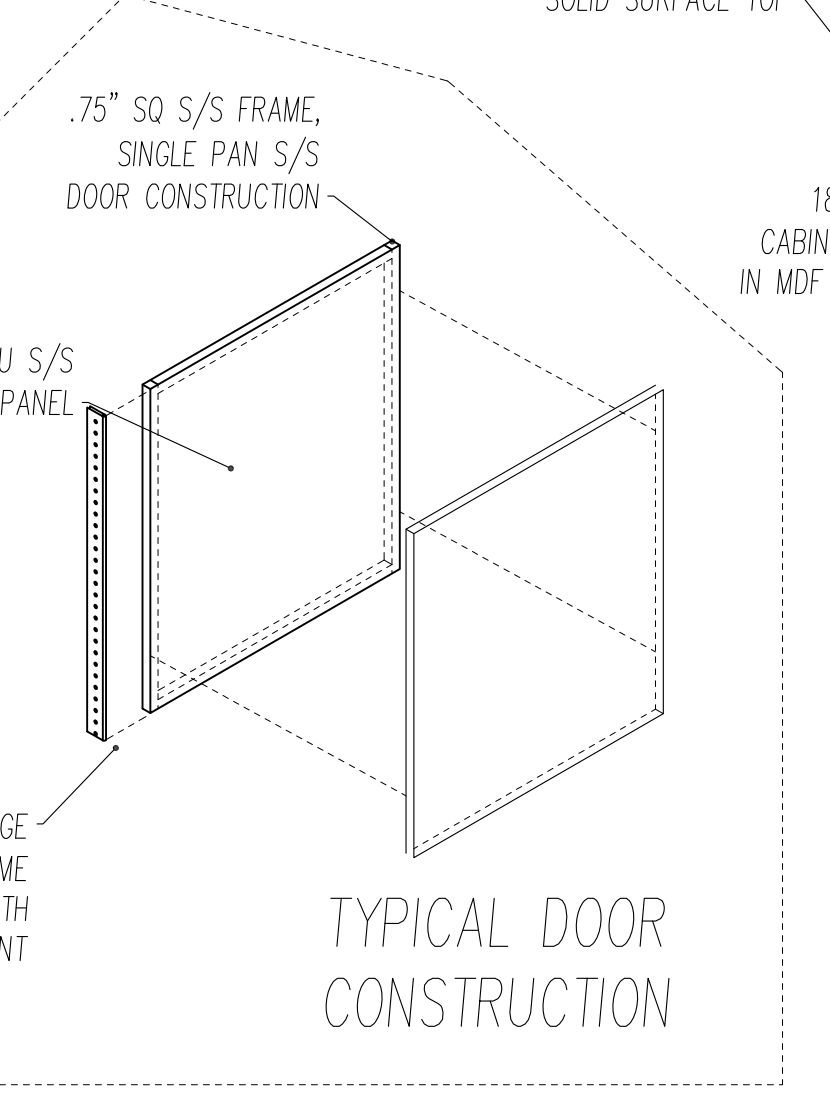
ELEV. B  
.75"=1'0"



ELEV. A  
.75"=1'0"



ELEV. A  
.75"=1'0"



NOTE:  
THIS DRAWING, SPECIFICATIONS AND SUPPLEMENTARY MATERIAL ARE THE PROPERTY OF EDWARD DON & COMPANY (WHETHER THE WORK FOR WHICH THEY ARE MADE IS EXECUTED OR NOT) AND ARE NOT TO BE USED ON ANY WORK IN WHOLE OR IN PART EXCEPT BY WRITTEN AGREEMENT WITH EDWARD DON & CO.. THE DESIGNS, SPECIFICATIONS AND/OR LAYOUTS REFLECTED ON THIS DRAWING ARE NOT ARCHITECTURAL, INTERIOR DESIGN OR ENGINEERING DESIGNS, SPECIFICATIONS AND/OR LAYOUTS, AND THEY ARE NOT TO BE USED FOR CONSTRUCTION UNLESS REVIEWED BY A LICENSED ARCHITECT OR ENGINEER.

REV #	NO.	DATE	DESCRIPTION
1	08	10	CHANGED TO SOLID SURFACE TOP
2	08	11	GENERAL REVISIONS
3	08	24	GENERAL REVISIONS
4			
5			
6			
7			
8			
9			

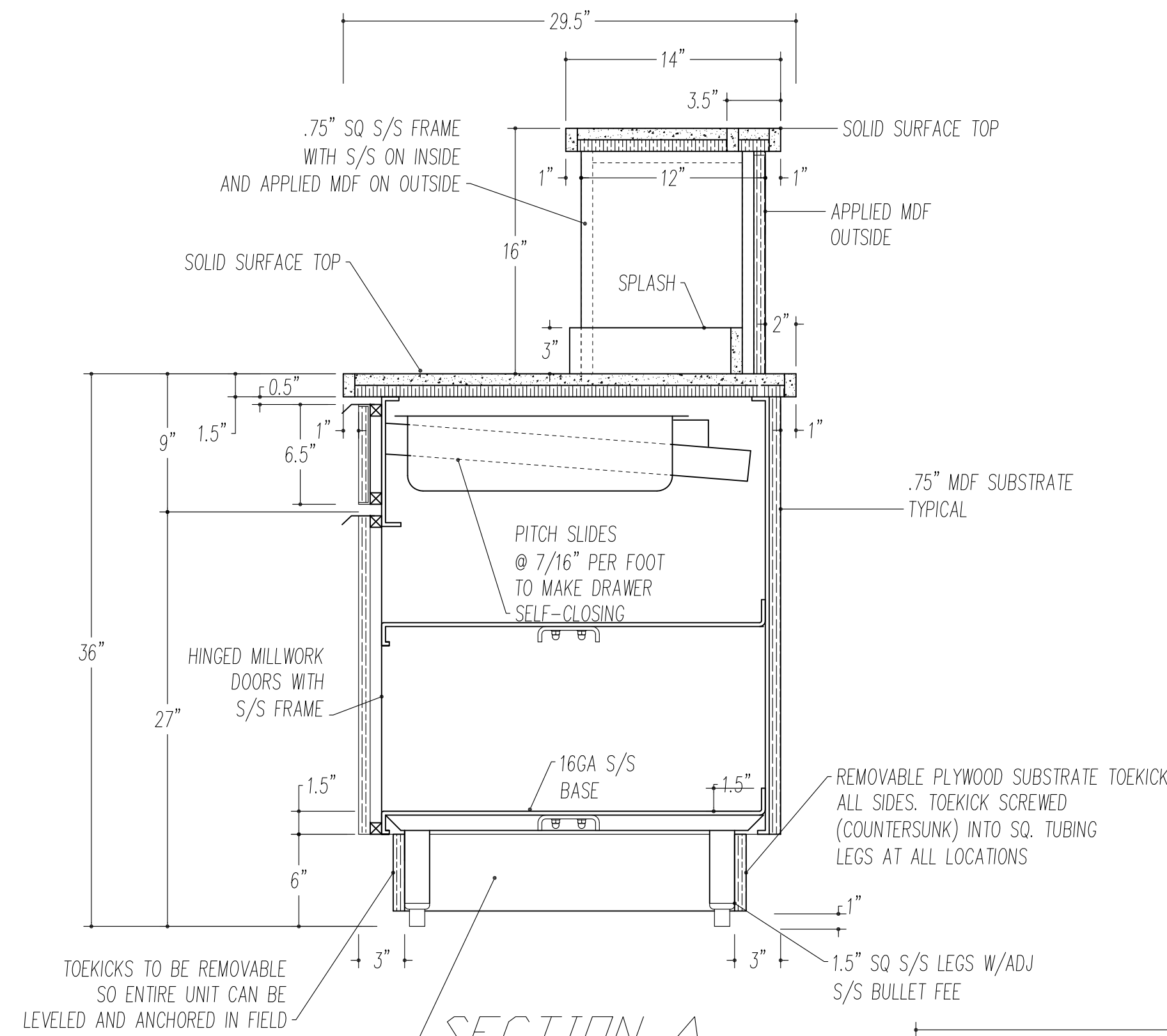
FOODSERVICE EQUIPMENT DIVISION  
**Edward Don & Company**  
600 NORTH THACKER AVE - SUITE D62  
TEL: (886) 738-9417 FAX: (886) 734-5010

FOODSERVICE EQUIPMENT SHOP DRAWINGS  
**Liberty Square**

DRAWN BY: S. Butterworth  
CHECKED BY: JK  
SUBMITTED BY: John Koehler  
DATE: 08/01/2010  
SCALE: As Shown  
SHEET: **SP1**  
DRAWING NO:

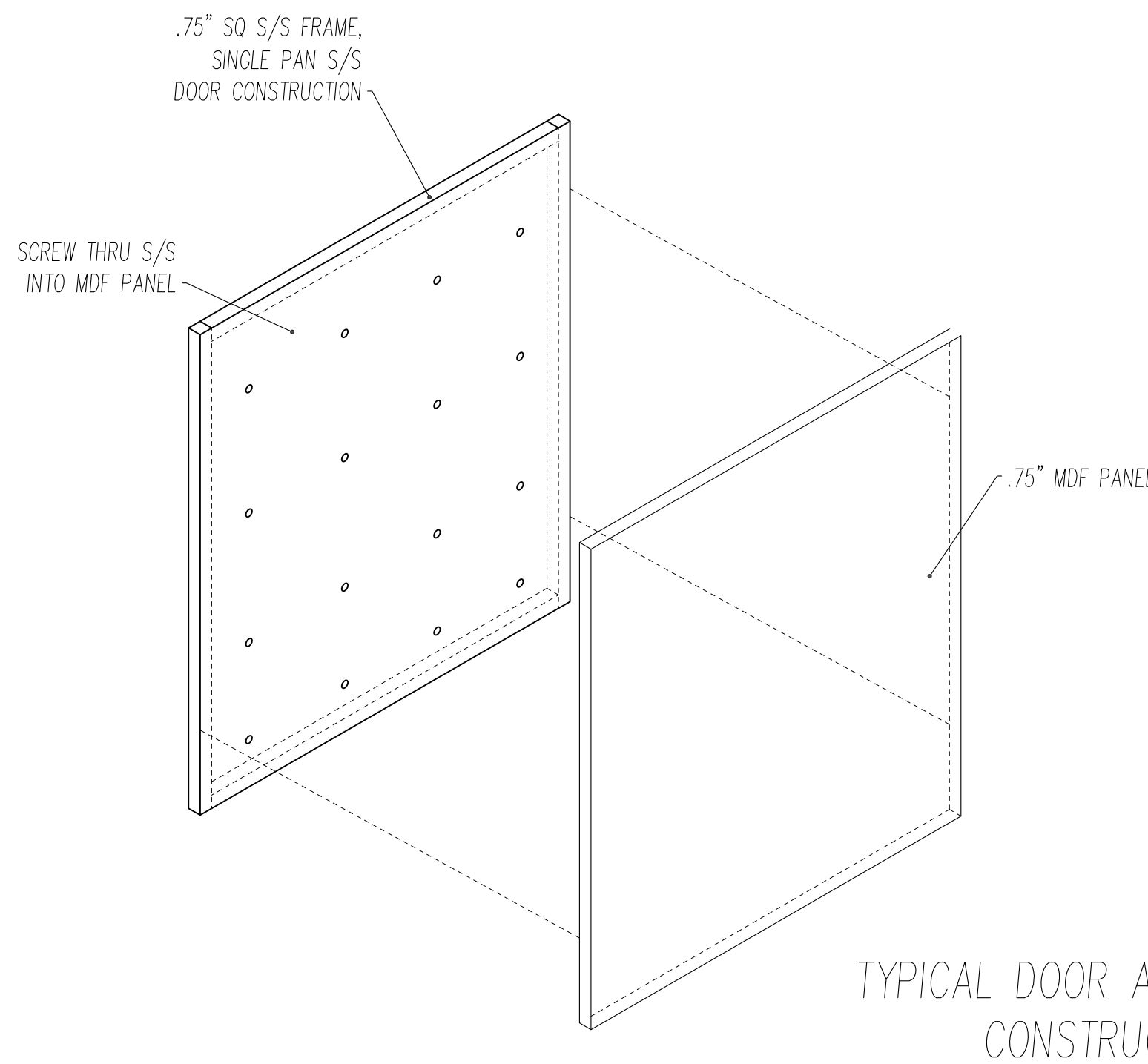
**SUNSHINE METAL PRODUCTS INC**  
195 Magnolia St.  
Altamonte Springs, FL 32701  
407.331.1300 (F) 407.339.5732  
sunshinemetals@earthlink.net

LISTED  
UL 197  
NSF  
LABORATORY  
ANN ARBOR MI



NOTE! VERIFY TYPE OF PLYWOOD SUBSTRATE

NOTE! SEE WOOD CRAFT CONCEPT DRAWING DATED 8/11/2010

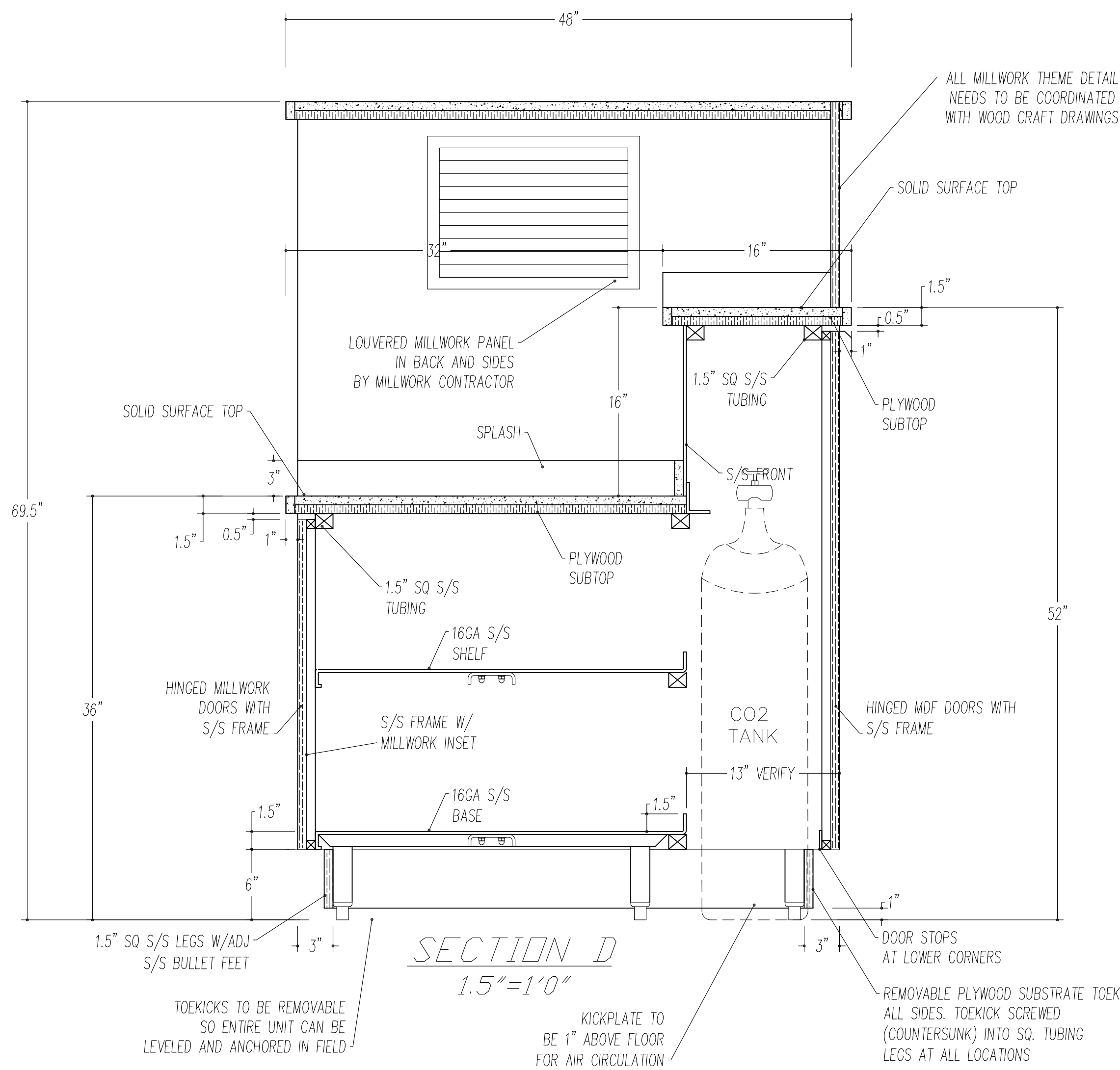
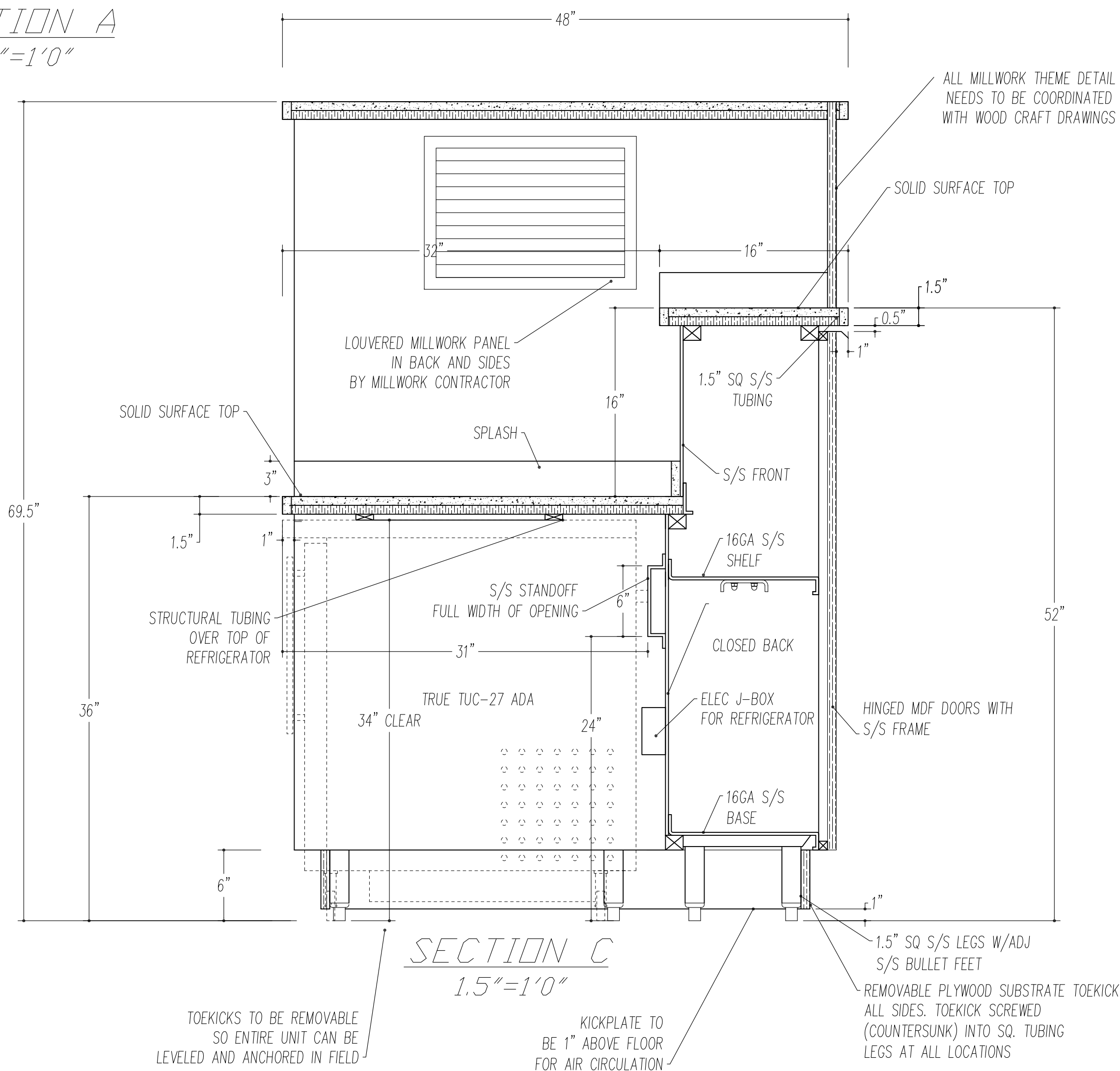


NOTE! TYPE, SIZE, AND LOCATION OF LOUVERED PANELS ARE CRITICAL TO PROPER VENTILATION OF FCB MACHINE AND MUST BE VERIFIED WITH ACTUAL MACHINE

FCB COUNTER

TOP - SOLID SURFACE  
 BASE AND UNDERSHELVES- 16GA S/S  
 CABINET - 18GA S/S PLUG WELD TO 1.5\"/>

NOTE! SIZE OF OVERALL TOPS WILL VARY DEPENDING ON THICKNESS OF APPLIED MILLWORK THEME. MILLWORK CONTRACTOR TO KEEP OVERHANG CONSISTENT AND EVEN.



\* NOTE :  
 THIS DRAWING, SPECIFICATIONS AND SUPPLEMENTARY MATERIAL ARE THE PROPERTY OF EDWARD DON & COMPANY (WHETHER THE WORK FOR WHICH THEY ARE MADE IS EXECUTED OR NOT) AND ARE NOT TO BE USED ON ANY WORK IN WHOLE OR IN PART EXCEPT BY WRITTEN AGREEMENT WITH EDWARD DON & CO.. THE DESIGNS, SPECIFICATIONS AND/OR LAYOUTS REFLECTED ON THIS DRAWING ARE NOT ARCHITECTURAL, INTERIOR DESIGN OR ENGINEERING DESIGNS, SPECIFICATIONS AND/OR LAYOUTS, AND THEY ARE NOT TO BE USED FOR CONSTRUCTION UNLESS REVIEWED BY A LICENSED ARCHITECT OR ENGINEER.

REV#	NO.	DATE	DESCRIPTION
1	08	10	CHANGED TO SOLID SURFACE TOP
2	08	11	GENERAL REVISIONS
3	08	24	GENERAL REVISIONS
4			
5			
6			
7			
8			
9			

FOODSERVICE EQUIPMENT DIVISION

**Edward Don & Company**

600 NORTH THACKER AVE - SUITE D62  
 TEL.: (886) 738-9417 FAX: (886) 734-5010

FOODSERVICE EQUIPMENT SHOP DRAWINGS

**Liberty Square**

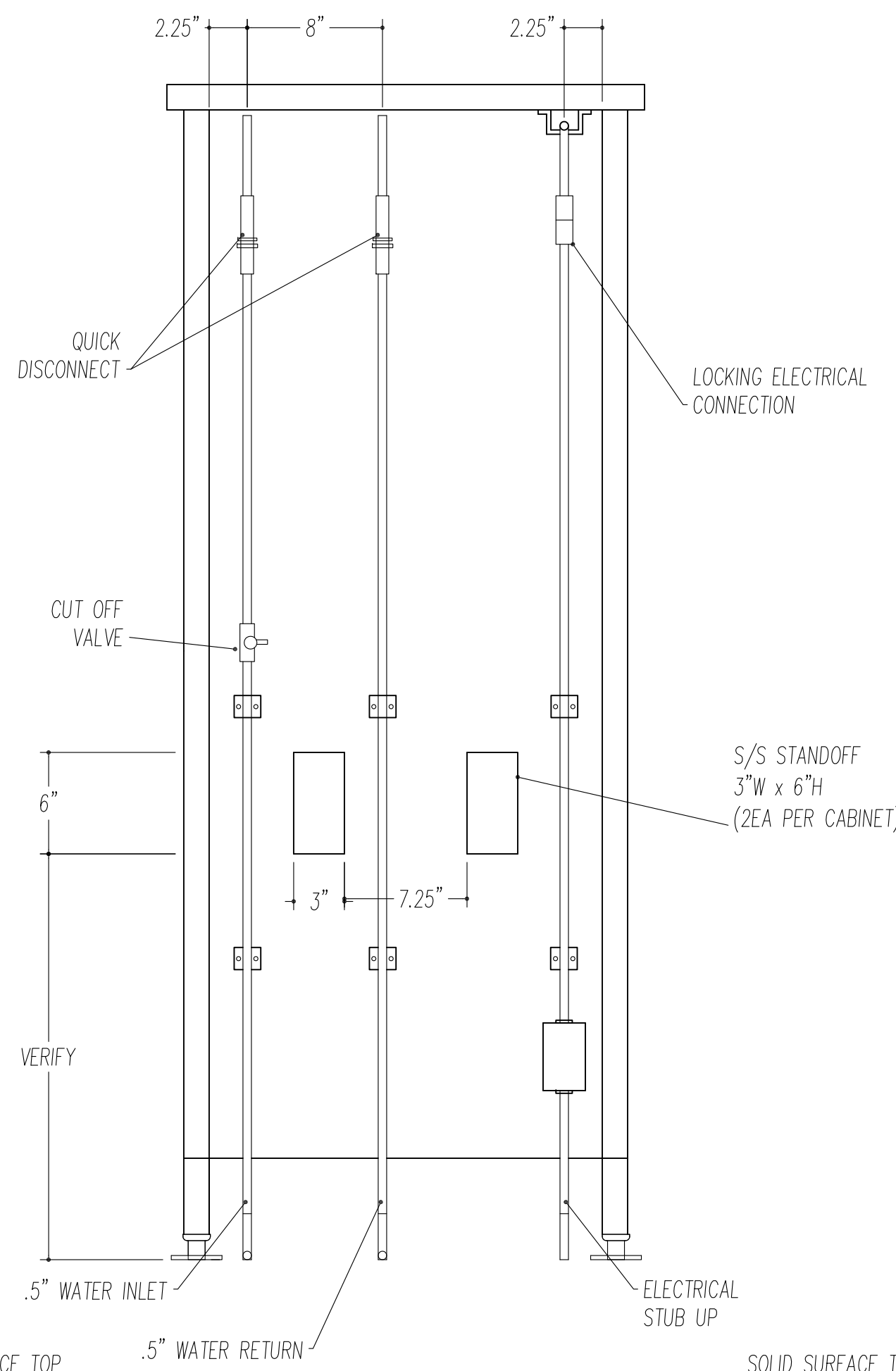
DRAWN BY: S. Butterworth  
 CHECKED BY: JK  
 SUBMITTED BY: John Koehler

DATE: 08/01/2010  
 SCALE: As Shown  
 SHEET: **SP2**  
 DRAWING NO:

**SUNSHINE METAL PRODUCTS INC**

195 Magnolia St.  
 Altamonte Springs, FL 32701  
 407.331.1300 (F) 407.339.5732  
 sunshinemetals@earthlink.net

NSF LISTED  
 UL 197



BACK VIEW  
1.5"=1'0"

NOTE! TYPE, SIZE, AND LOCATION OF LOUVERED PANELS ARE CRITICAL TO PROPER VENTILATION OF FCB MACHINE AND MUST BE VERIFIED WITH ACTUAL MACHINE

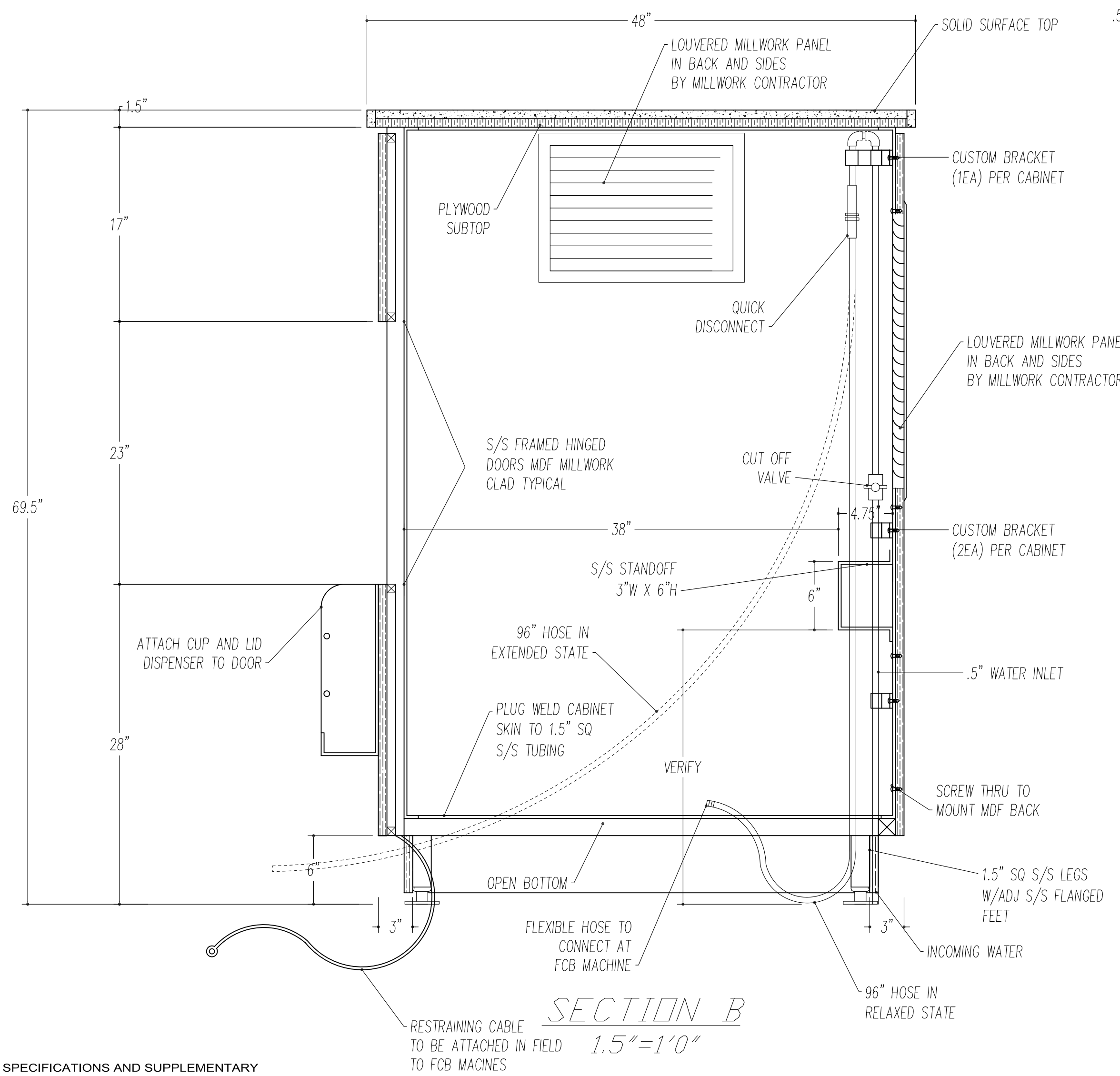
NOTE! VERIFY TYPE OF PLYWOOD SUBSTRATE

NOTE! SEE WOOD CRAFT CONCEPT DRAWING DATED 8/11/2010

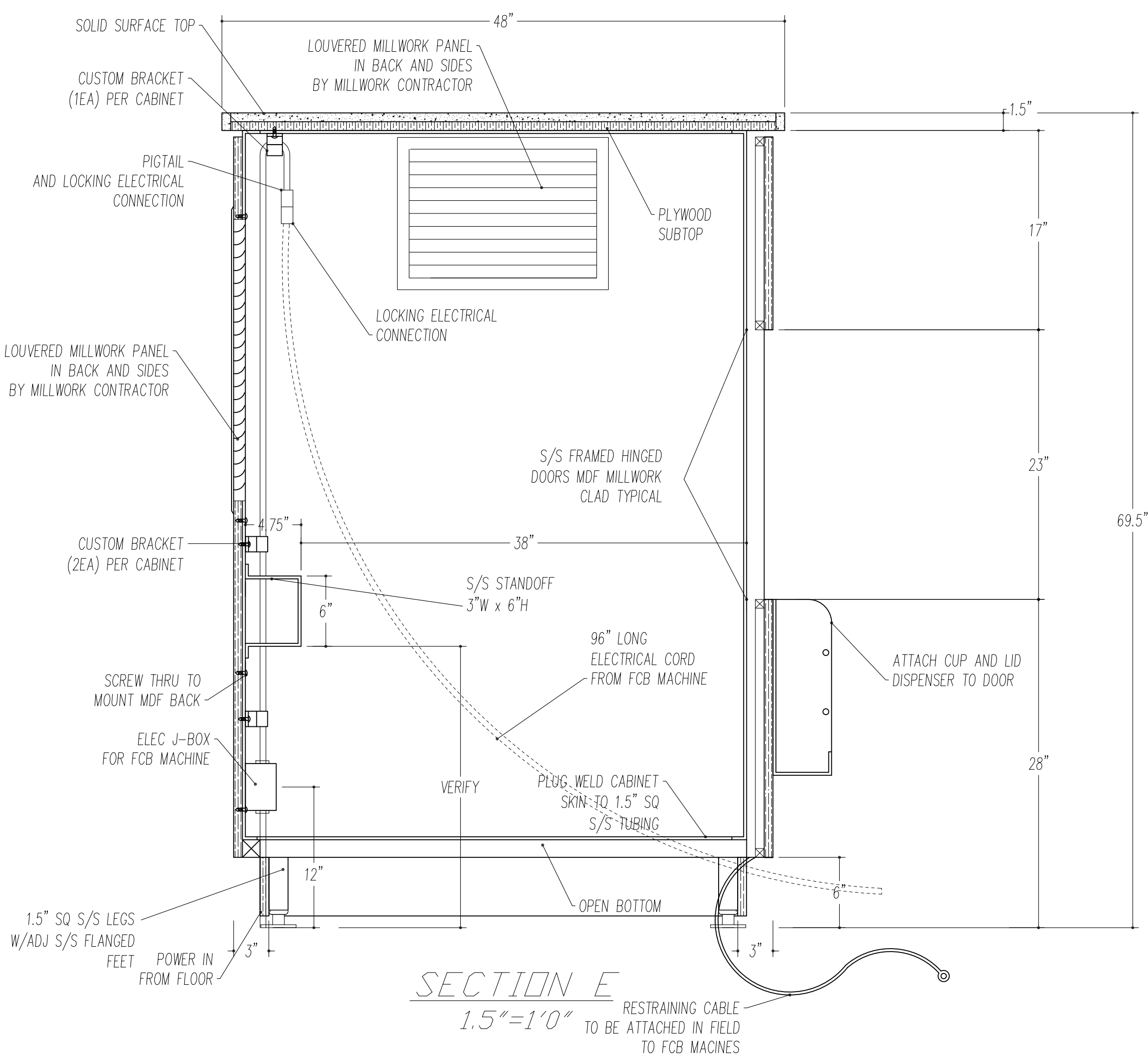
FCB COUNTER

TOP - SOLID SURFACE  
 BASE AND UNDERSHELVES- 16GA S/S  
 CABINET - 18GA S/S PLUG WELD TO 1.5" SQ TUBING  
 CLADDING - .75" MDF PLYWOOD PANELS VERIFY  
 DOORS AND DRAWERS - LOCKING S/S FRAME WITH .75" MDF PLYWOOD

NOTE! SIZE OF OVERALL TOPS WILL VARY DEPENDING ON THICKNESS OF APPLIED MILLWORK THEME. MILLWORK CONTRACTOR TO KEEP OVERHANG CONSISTENT AND EVEN.



SECTION B  
1.5"=1'0"



SECTION E  
1.5"=1'0"

\* NOTE :  
 THIS DRAWING, SPECIFICATIONS AND SUPPLEMENTARY MATERIAL ARE THE PROPERTY OF EDWARD DON & COMPANY (WHETHER THE WORK FOR WHICH THEY ARE MADE IS EXECUTED OR NOT) AND ARE NOT TO BE USED ON ANY WORK IN WHOLE OR IN PART EXCEPT BY WRITTEN AGREEMENT WITH EDWARD DON & CO.. THE DESIGNS, SPECIFICATIONS AND/OR LAYOUTS REFLECTED ON THIS DRAWING ARE NOT ARCHITECTURAL, INTERIOR DESIGN OR ENGINEERING DESIGNS, SPECIFICATIONS AND/OR LAYOUTS, AND THEY ARE NOT TO BE USED FOR CONSTRUCTION UNLESS REVIEWED BY A LICENSED ARCHITECT OR ENGINEER.

REV#	DATE	DESCRIPTION
1	08/11/10	CHANGED TO SOLID SURFACE TOP
2	08/11/10	GENERAL REVISIONS
3	08/24/10	GENERAL REVISIONS
4		
5		
6		
7		
8		
9		

FOODSERVICE EQUIPMENT DIVISION

**Edward Don & Company**

600 NORTH THACKER AVE - SUITE D62  
 TEL.: (986) 738-9417 FAX: (986) 734-5010

FOODSERVICE EQUIPMENT SHOP DRAWINGS

**Liberty Square**

DRAWN BY: S. Butterworth  
 CHECKED BY: JK  
 SUBMITTED BY: John Koehler

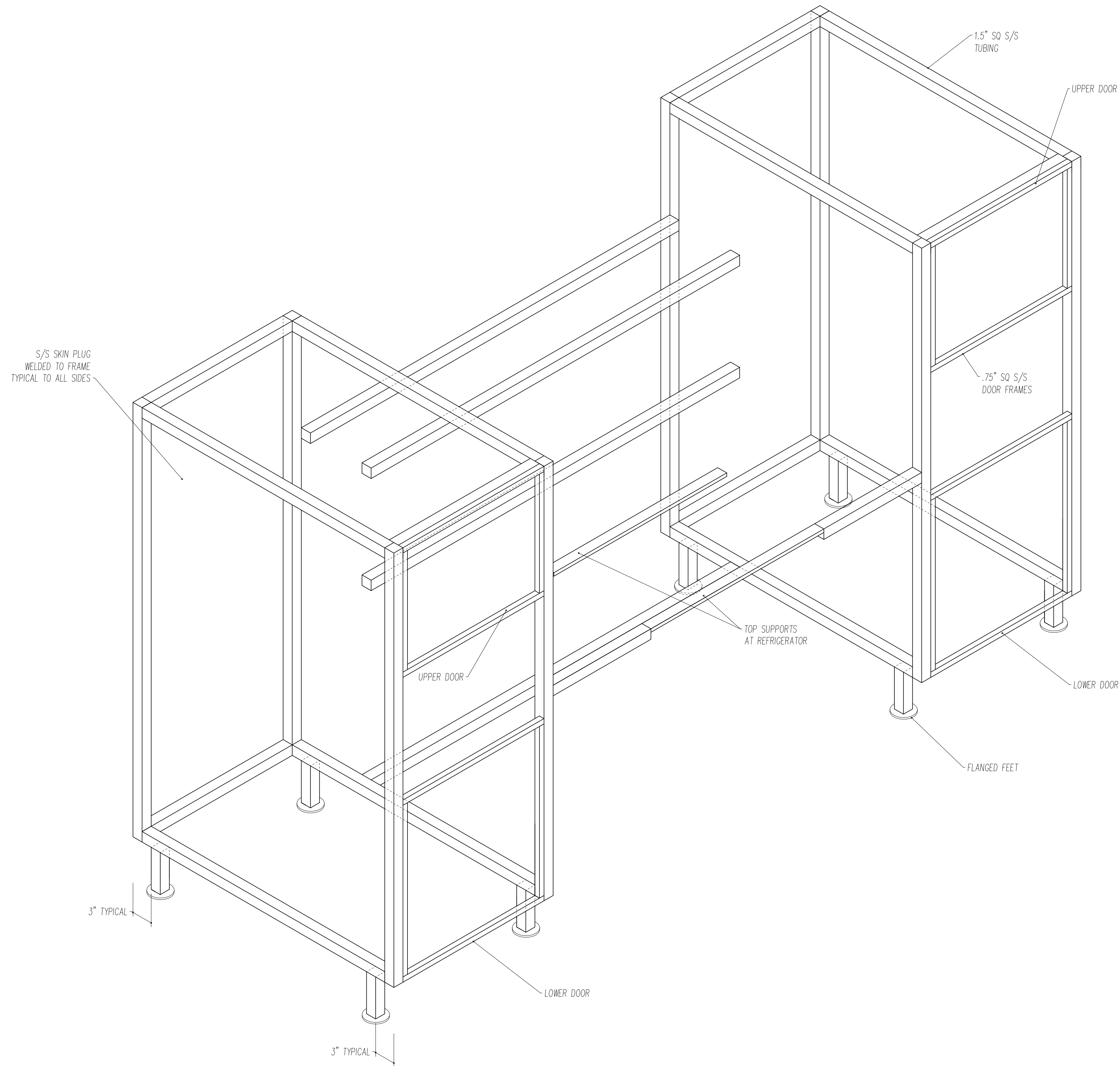
DATE: 08/01/2010  
 SCALE: As Shown  
 SHEET: **SP3**  
 DRAWING NO:

**SUNSHINE METAL PRODUCTS INC**

195 Magnolia St.  
 Altamonte Springs, FL 32701  
 407.331.1300 (F) 407.339.5732  
 sunshinemetals@earthlink.net

NSF LISTED  
 UL 197

NSF TESTING LABORATORY  
 ANN ARBOR, MI



**\* NOTE :**  
 THIS DRAWING, SPECIFICATIONS AND SUPPLEMENTARY MATERIAL ARE THE PROPERTY OF EDWARD DON & COMPANY (WHETHER THE WORK FOR WHICH THEY ARE MADE IS EXECUTED OR NOT) AND ARE NOT TO BE USED ON ANY WORK IN WHOLE OR IN PART EXCEPT BY WRITTEN AGREEMENT WITH EDWARD DON & CO.. THE DESIGNS, SPECIFICATIONS AND/OR LAYOUTS REFLECTED ON THIS DRAWING ARE NOT ARCHITECTURAL, INTERIOR DESIGN OR ENGINEERING DESIGNS, SPECIFICATIONS AND/OR LAYOUTS, AND THEY ARE NOT TO BE USED FOR CONSTRUCTION UNLESS REVIEWED BY A LICENSED ARCHITECT OR ENGINEER.

**SUNSHINE**  
**METAL**  
**PRODUCTS INC**

**195 Magnolia St.**  
**Altamonte Springs, FL 32701**  
**407.331.1300 (F) 407.339.5732**  
**sunshinemetals@earthlink.net**



FOODSERVICE EQUIPMENT SHOP DRAWINGS

**Liberty Square**

DRAWN BY:  
S. Butterworth  
 CHECKED BY:  
JK  
 SUBMITTED BY:  
John Koehler

DATE:  
08/01/2010

SCALE:  
As Shown

SHEET:  
**SP4**

DRAWING NO:

REV#	MS.	DATE	YR.	DESCRIPTION
1	00			
2	00	11	10	GENERAL REVISIONS
3				
4				
5				
6				
7				
8				
9				
10				
11				
12				
13				
14				
15				
16				
17				
18				

FOODSERVICE EQUIPMENT DIVISION  
**Edward Don & Company**  
 600 NORTH THACKER AVE - SUITE D62  
 TEL.: (886) 738-9417 FAX: (886) 734-5010



